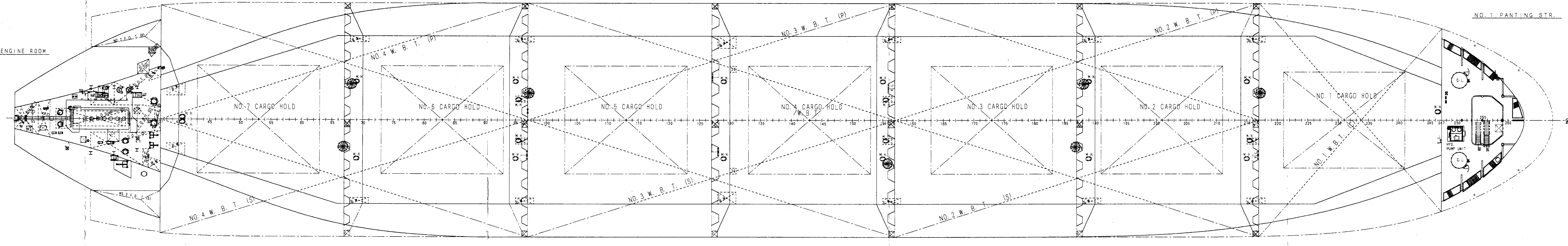
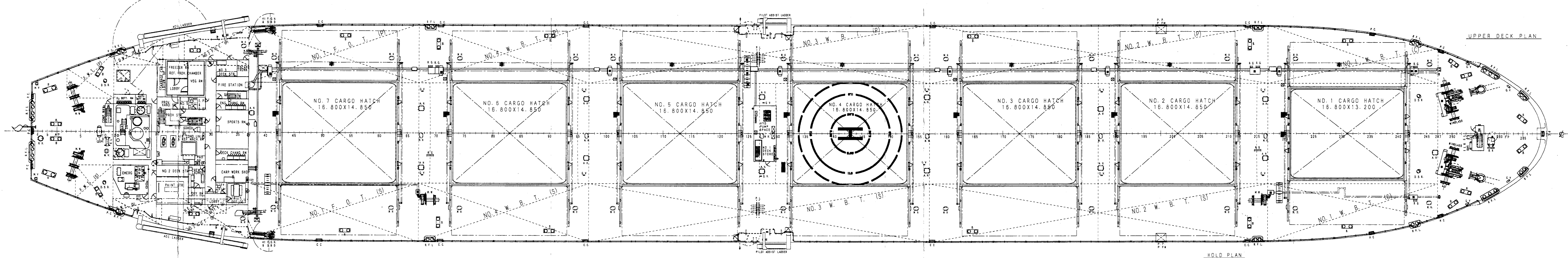
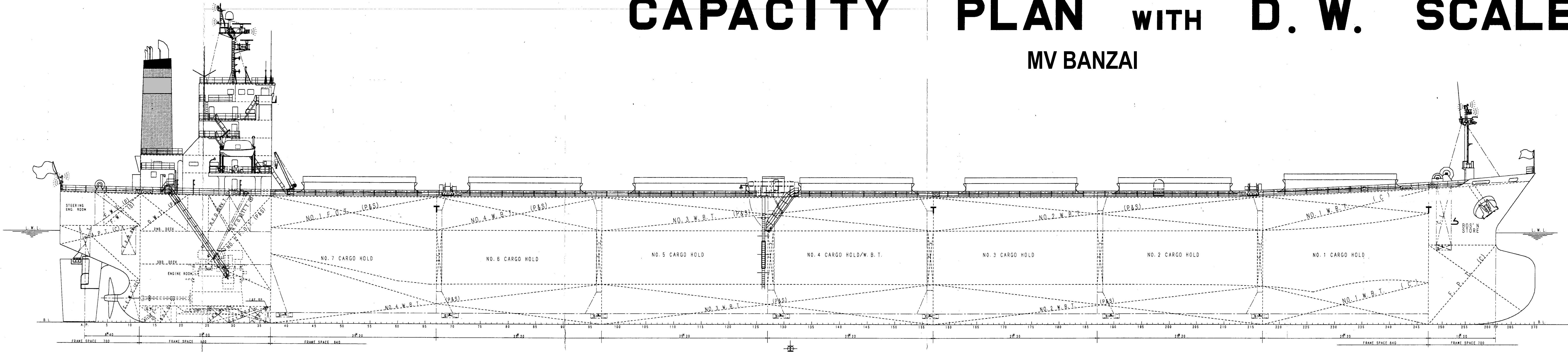


# CAPACITY PLAN WITH D. W. SCALE

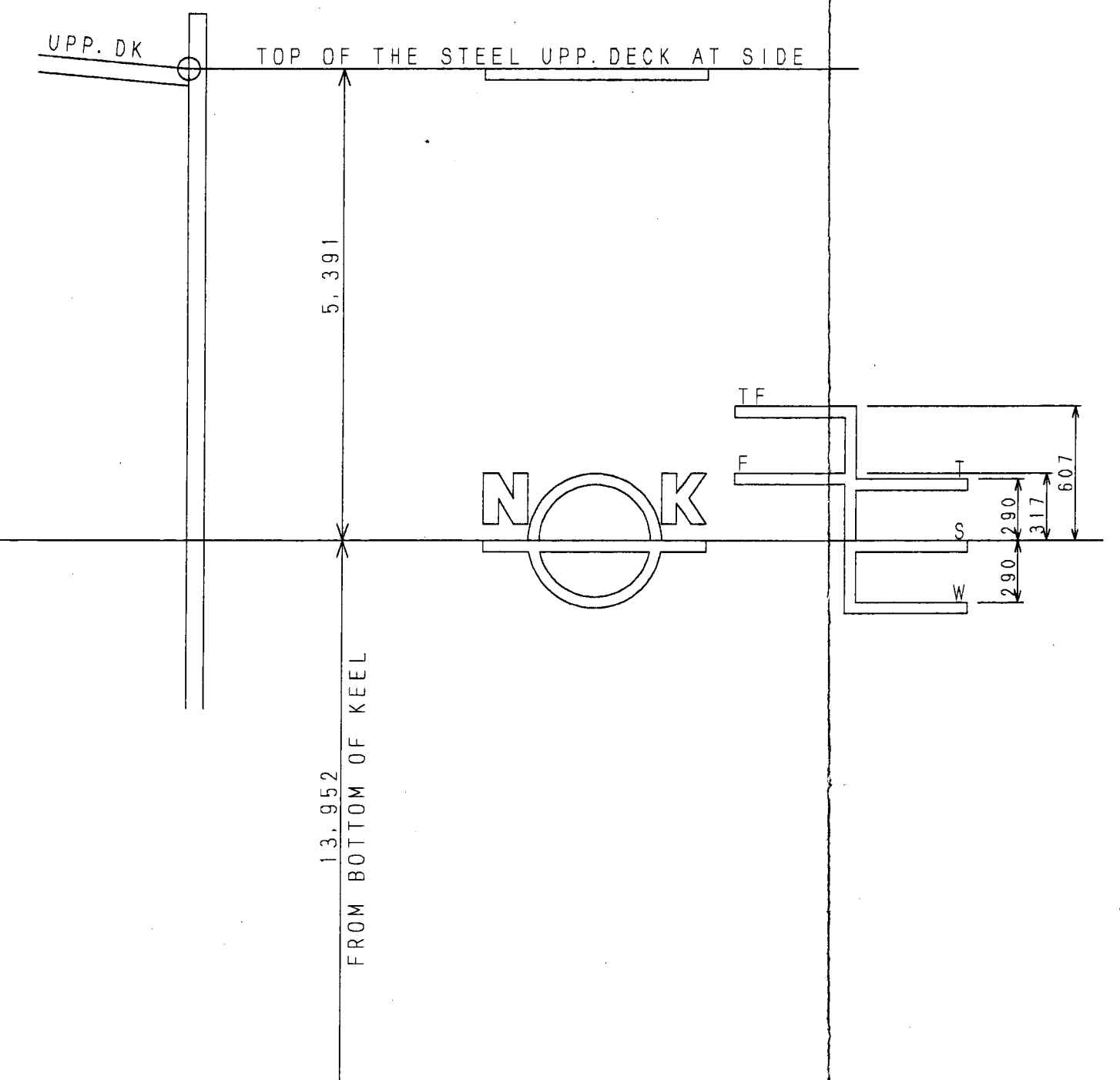
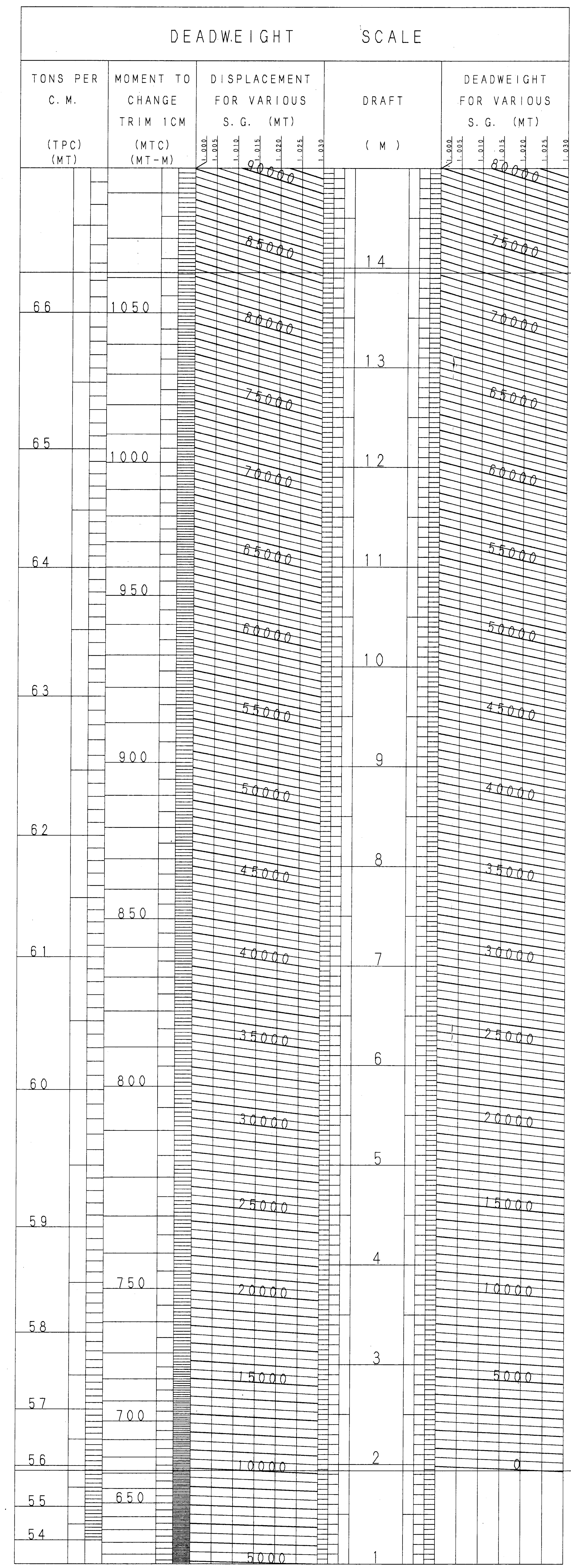
## MV BANZAI



ITEM	POSITION	CAPACITY		CENT. OF GRAVITY	
		M <sup>3</sup>	FT <sup>3</sup>	L.C.G.	V.C.G.
		M	M	M	M
NO. 1 CARGO HOLD	217 - 247	11840.8	418158	-83.84	10.82
NO. 2 CARGO HOLD	187 - 217	12231.0	431938	-59.49	10.40
NO. 3 CARGO HOLD	157 - 187	13270.1	468634	-34.27	10.34
NO. 4 CARGO HOLD	127 - 157	12059.6	425685	-9.10	10.38
NO. 5 CARGO HOLD	97 - 127	13264.0	468418	16.07	10.34
NO. 6 CARGO HOLD	67 - 97	12237.3	432160	41.29	10.40
NO. 7 CARGO HOLD	37 - 67	11696.9	420139	65.73	10.68
CARGO HOLD TOTAL		86799.7	3065332		
NO. 1 CARGO HATCH	221 - 241	305.6	10928	-83.86	21.31
NO. 2 CARGO HATCH	191 - 211	355.6	12593	-59.56	20.73
NO. 3 CARGO HATCH	163 - 183	356.6	12593	-35.14	20.73
NO. 4 CARGO HATCH	133 - 153	356.6	12593	-9.94	20.73
NO. 5 CARGO HATCH	103 - 123	356.6	12593	15.26	20.73
NO. 6 CARGO HATCH	73 - 93	356.6	12593	40.48	20.73
NO. 7 CARGO HATCH	43 - 63	356.6	12593	65.66	20.73
CARGO HATCH TOTAL		2446.2	86386		
NO. 1 C. HOLD & HATCH	217 - 247	12147.4	428885	-83.84	11.08
NO. 2 C. HOLD & HATCH	187 - 217	12587.6	444531	-59.47	10.68
NO. 3 C. HOLD & HATCH	157 - 187	13626.7	481227	-34.29	10.61
NO. 4 C. HOLD & HATCH	127 - 157	12416.2	438478	-9.12	10.68
NO. 5 C. HOLD & HATCH	97 - 127	13620.6	481011	16.05	10.61
NO. 6 C. HOLD & HATCH	67 - 97	12583.9	444754	41.27	10.68
NO. 7 C. HOLD & HATCH	37 - 67	12253.5	432732	65.73	11.15
CARGO HOLD & HATCH TOTAL		89245.9	3151718		

ITEM	POSITION	CAPACITY		WEIGHT		CENT. OF GRAVITY		I (MAX)
		M <sup>3</sup>	FT <sup>3</sup>	S.W. SO+1.025	F.W. SO+1.000	L.C.G.	V.C.G.	
		M	M	MT	MT	M	M	
FORE PEAK T. (C)	247 - FORE	1699.6	60028	1742.3		-102.52	6.54	284.7
NO. 1 W. B. T. (C)	217 - 247	2339.4	82581	2356.9		-83.59	9.56	30760
NO. 2 W. B. T. (P&S)	157 - 217	2974.4	105059	3049.3		-46.79	8.23	16556
NO. 3 W. B. T. (P&S)	97 - 157	2964.4	105747	3059.3		3.46	6.18	17152
NO. 4 W. B. T. (P&S)	37 - 97	2127.6	75147	2181.1		49.01	6.56	11730
AFT PEAK T. (C)	AFT - 12	647.5	22866	663.7		103.77	12.60	5211
W. B. SUB TOTAL		20690.1	737381	21402.9				
NO. 4 C. H. W. B. T.	127 - 157	12416.2	438478	12726.6		-9.12	10.68	65083
W. B. GRAND TOTAL		93295.3	1175859	34128.9				
FRESH WATER T. (P)	2 - 12	198.5	6939			102.35	17.28	113
FRESH WATER T. (S)	4 - 12	164.2	5769			154.2	101.75	99
DRINK WATER T. (P&S)	12 - 21	114.2	4033			114.2	95.06	16.84
FRESH WATER TOTAL		586.9	20804			586.9		
ODD. F. W. T. (C)	7 - 12	19.4	685			19.4	100.19	3.00

ITEM	POSITION	CAPACITY			WEIGHT			CENT. OF GRAVITY			I (MAX)
		TOON FULL	90% FULL	F.O. 95	D.O. 90	L.O. 90	L.C.G.	V.C.G.			
		M <sup>3</sup>	M <sup>3</sup>	MT	MT	MT	M	M	M		
NO. 1 F. O. T. (P&S)	37 - 67	608.1	593.8	20617	560.4		66.43	17.79	1342		
NO. 2 F. O. T. (P)	25 - 37	484.5	465.1	16425	446.5		83.47	14.42	120		
NO. 2 F. O. T. (S)	25 - 37	414.3	397.7	14045	391.8		83.13	13.89	107		
FUEL OIL TOTAL		2115.0	2030.4	71704	1948.1						
DIESEL OIL T. (P)	29 - 37	43.7	42.0	1483			82.01	1.52	36		
DIESEL OIL T. (S)	29 - 37	54.7	52.5	1854			83.22	1.53	37		
DIESEL OIL TOTAL		98.4	94.5	3337			85.1				
L. O. SUMP T. (C)	19 - 31	23.8	22.8	805			20.5	89.24	1.49		
F. O. OVERFLOW T. (C)	33 - 36	21.6	20.7	731			81.13	1.27	9		
H. F. O. SERV. T. (S)	25 - 29	15.9		25.8			87.10	16.99	2		
H. F. O. SETT. T. (S)	29 - 33	16.2		25.2			83.90	16.99	2		
BILGE OIL T. (C)	16 - 18	15.4					95.08	1.43	15		
CLEAN BILGE T. (P)	25 - 29	13.0					86.99	1.61	5		
BILGE T. (C)	12 - 16	16.2					97.33	1.30	12		



	FREE-BOARD (EXT.)	DRAFT (M)	DISPL.		DEADWEIGHT	WATER DENSITY	
			MT	LT			
TROPICAL FRESH WATER LINE	TF	4.784	4.559	86173	76050	74859	1.000
FRESH WATER LINE	F	5.074	4.269	84291	74178	73006	1.000
TROPICAL WATER LINE	T	5.101	4.242	85219	76108	74904	1.025
SUMMER WATER LINE	S	5.391	3.952	84294	74181	73009	1.025
WINTER WATER LINE	W	5.681	3.662	82375	72261	71121	1.025

LENGTH (O.A.)	224' 00"	(ABT 737' - 9 3/4")
LENGTH (P.P.)	215' 00"	(ABT 705' - 4 1/2")
BREADTH (M.D.)	32' 00"	(ABT 105' - 3 3/4")
DEPTH (M.D.)	12' 00"	(ABT 39' - 3 3/4")
DESIGNED LOAD DRAFT (EXT.)	12' 3/8"	(ABT 40' - 3 3/4")
ASSIGNED SUMMER LOAD DRAFT (EXT.)	13' 00"	(ABT 45' - 9 1/4")
GROSS TONNAGE	18,538 T	
NET TONNAGE	14,932 T	
DEADWEIGHT AT ASSIGNED SUMMER LOAD DRAFT	44,181 MT (73,005 LT)	
MAIN ENGINE	B&W 7550MC (M/R&G)	
M.D.	11,800 PS (8,879 kW)	M/R 115 rpm
N.C.G.	10,800 PS (7,811 kW)	M/R 115 rpm
SERVICE SPEED (AT N.C.G. WITH 15% SEA RANG)		
AT DESIGNED LOAD DRAFT	ABT 14.5 KNOTS	

LW	10113	MT
LCG	6.95	M
VCG	11.51	M

SHIPBUILDING CO., LTD.  
INITIAL DESIGN DEPARTMENT  
HULL PERFORMANCE DESIGN SEC.

APPROVED: [Signature] EXT. 12/01  
CHECKED: [Signature] EXT. 12/01  
DESIGNED: [Signature] EXT. 12/01  
DRAWN: [Signature] EXT. 12/01

DATE DRAWN: MAR. 23. 2002 SCALE: 1:1000 SHEET NO.: 0-7-6

FINISHED PLAN

CAPACITY PLAN WITH D. W. SCALE