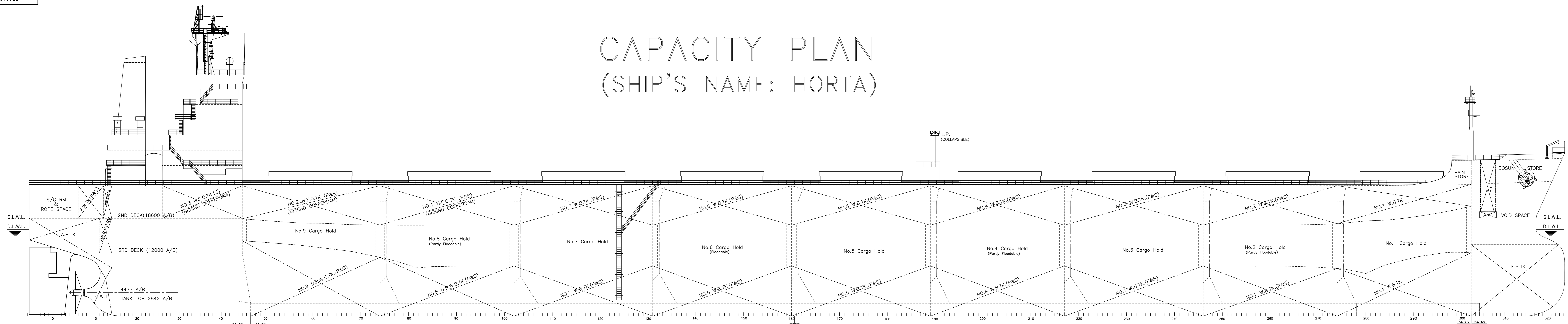
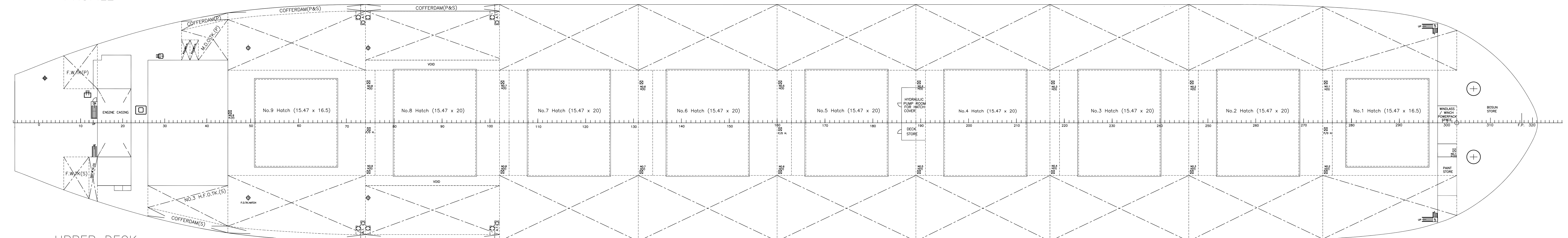


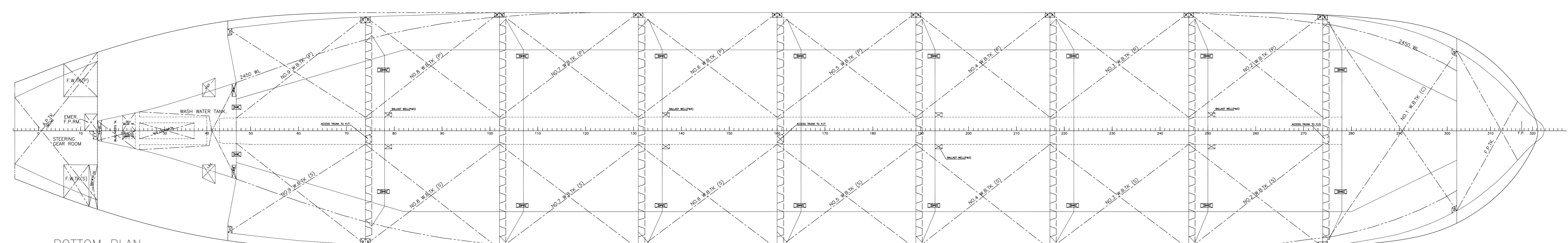
CAPACITY PLAN (SHIP'S NAME: HORTA)



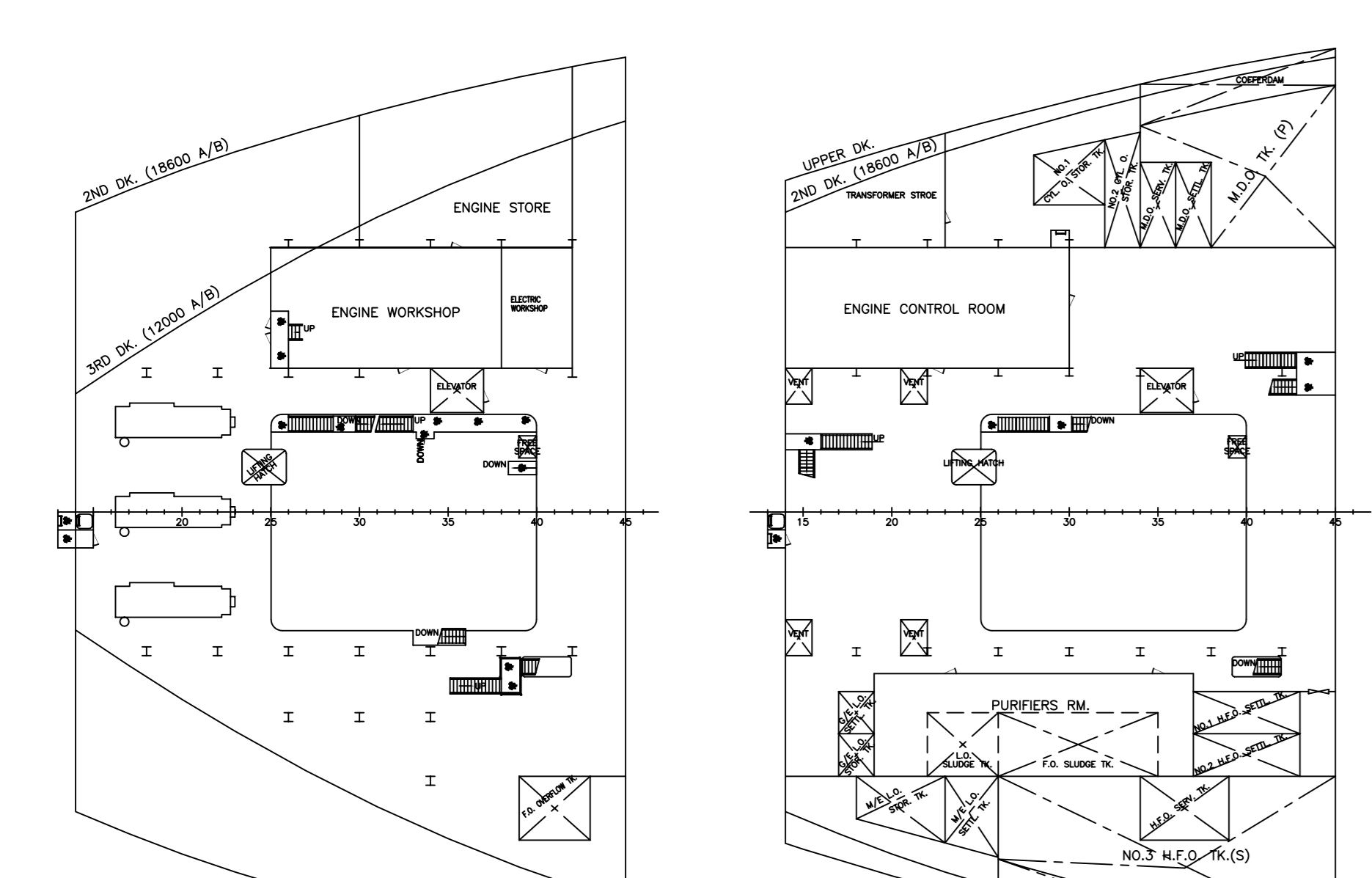
PROFILE



UPPER DECK

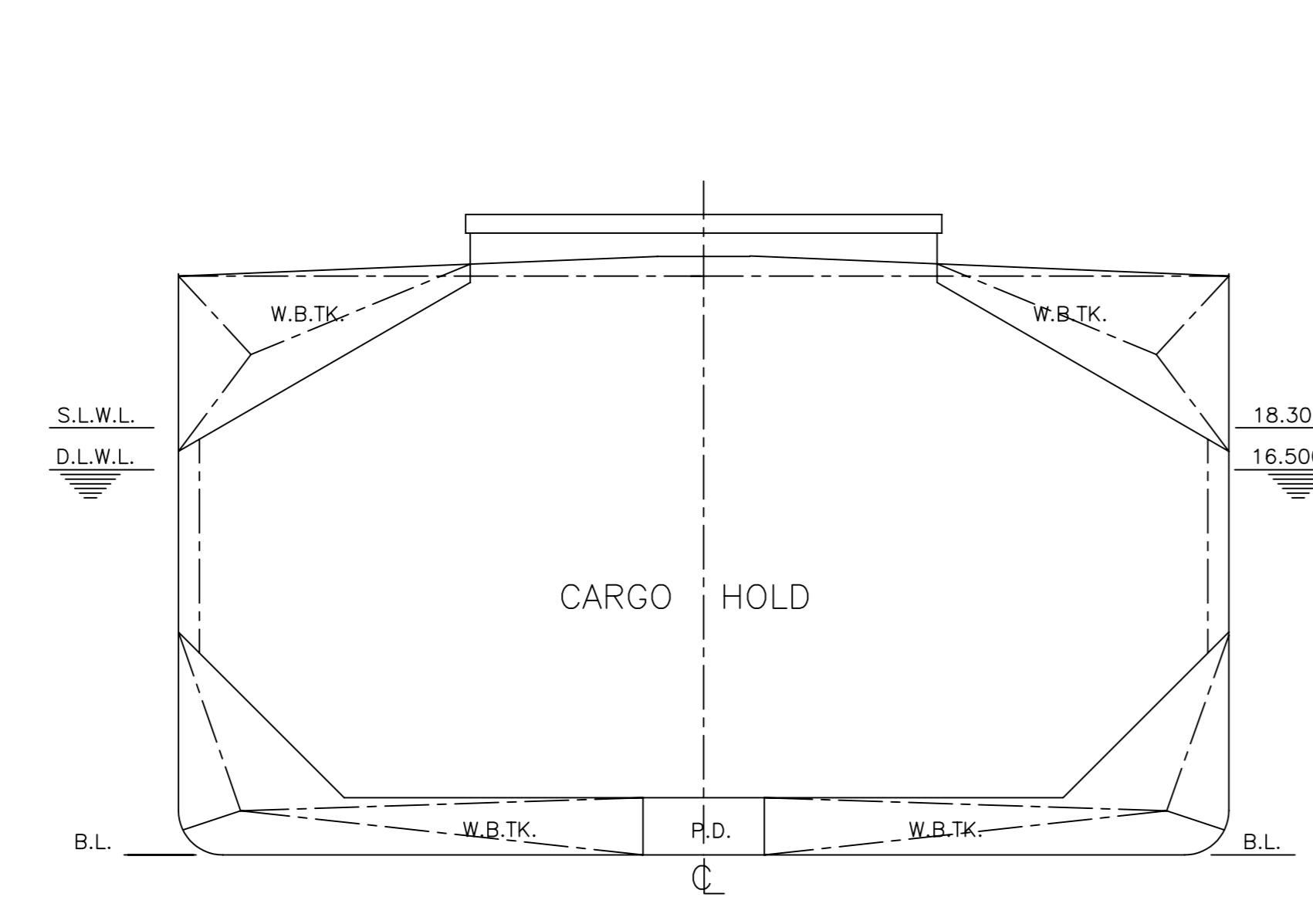


BOTTOM PLAN



THIRD DECK

SECOND DECK



TYPICAL SECTION

Compartment	Location (Frame)	Capacity		Center of Gravity(m)	
		m ³	ft ³	L.C.G.	V.C.G.
No.1 Cargo Hold	274-302	18713.0	660849.6	115.651	14.156
No.2 Cargo Hold	246-274	21831.3	770972.4	91.124	13.685
No.3 Cargo Hold	217-246	22574.0	797200.8	65.235	13.685
No.4 Cargo Hold	189-217	21866.7	772222.5	39.267	13.684
No.5 Cargo Hold	160-189	22467.1	793425.6	13.423	13.685
No.6 Cargo Hold	131-160	22466.5	793404.4	-12.967	13.690
No.7 Cargo Hold	102-131	22573.4	797179.6	-39.415	13.690
No.8 Cargo Hold	74-102	21786.6	769181.9	-65.343	13.687
No.9 Cargo Hold	45-74	18966.5	702988.0	-91.055	14.477
Total		194179.0	6857434.6		

Compartment	Location (Frame)	Capacity(m ³)		Center of Gravity(m)	
		100%	98%	L.C.G.	V.C.G.
M/E L.O. Sump T. (C)	24-37	36.5	37.3	-116.817	1.545
No.1 Cyl.O. Star.T. (P)	28-32	49.1	48.12	-116.939	21.387
No.2 Cyl.O. Star.T. (P)	32-34	45.0	44.10	-114.592	21.347
M/E L.O. Star.T. (S)	18-23	58.6	57.43	-124.477	21.486
G/E L.O. Star.T. (S)	23-26	45.5	44.59	-121.366	21.479
G/E L.O. Set.T. (S)	17-19	14.3	14.01	-126.592	21.624
G/E L.O. Set.T. (S)	17-19	14.2	13.92	-126.592	21.624
Total		265.2	259.90		

Compartment	Location (Frame)	Capacity(m ³)		Center of Gravity(m)	
		100%	98%	L.C.G.	V.C.G.
No.1 H.F.O.T. (P)	74-102	1014.6	994.31	-66.089	22.598
No.1 H.F.O.T. (S)	74-102	1014.6	994.31	-66.089	22.598
No.2 H.F.O.T. (P)	45-74	1014.9	994.60	-91.323	22.835
No.2 H.F.O.T. (S)	45-74	1014.9	994.60	-91.323	22.835
No.3 H.F.O.T. (S)	26-45	533.6	522.93	-111.936	21.974
H.F.O. Serv.T. (S)	34-39	59.2	58.02	-111.800	21.390
No.1 H.F.O. Set.T. (S)	37-43	46.5	45.57	-109.026	21.413
No.2 H.F.O. Set.T. (S)	37-43	46.9	45.96	-109.026	21.413
F.O. Overflow T. (S)	39-43	38.1	37.34	-108.200	15.300
Total		4783.3	4687.84		

Compartment	Location (Frame)	Capacity(m ³)		Center of Gravity(m)	
		100%	98%	L.C.G.	V.C.G.
M.D.O.T. (P)	34-45	303.0	296.94	-108.449	21.888
M.D.O. Serv.T. (P)	34-36	38.2	37.44	-113.000	21.979
M.D.O. Set.T. (P)	36-38	38.2	37.44	-111.400	21.979
Total		379.4	371.82		

Compartment	Location (Frame)	Capacity (m ³)		Center of Gravity(m)	
		L.C.G.	V.C.G.	L.C.G.	V.C.G.
F.P.T.(C)	302-F.E.	3411.2	134.876	7.704	
No.1 W.B.T.(C)	274-302	4827.6	115.367	10.799	
No.2 W.B.T.(P)	246-274	3015.1	90.139	11.083	
No.2 W.B.T.(S)	246-274	3015.1	90.139	11.083	
No.3 W.B.T.(P)	217-246	3265.9	64.492	10.775	
No.3 W.B.T.(S)	217-246	3265.9	64.492	10.775	
No.4 W.B.T.(P)	189-217	3154.5	38.560	10.773	
No.4 W.B.T.(S)	189-217	3154.5	38.560	10.773	
No.5 W.B.T.(P)	160-189	3266.7	12.625	10.772	
No.5 W.B.T.(S)	160-189	3266.7	12.625	10.772	
No.6 W.B.T.(P)	131-160	3266.7	-13.765	10.772	
No.6 W.B.T.(S)	131-160	3266.7	-13.765	10.772	
No.7 W.B.T.(P)	102-131	3231.9	-40.073	10.876	
No.7 W.B.T.(S)	102-131	3231.9	-40.073	10.876	
No.8 W.B.T.(P)	74-102	1482.4	-65.387	2.705	
No.8 W.B.T.(S)	74-102	1482.4	-65.387	2.705	
No.9 W.B.T.(P)	45-74	1317.5	-90.966	4.866	
No.9 W.B.T.(S)	45-74	1317.5	-90.966	4.866	
A.P.T.(C)	A.E.-14	1281.1	-136.115	15.998	
Total		53531.3			

Compartment	Location (Frame)	Capacity (m ³)		Center of Gravity(m)	
		L.C.G.	V.C.G.	L.C.G.	V.C.G.
F.W.T. (P)	6-14	284.2	-132.814	22.087	
F.W.T. (S)	6-12	203.9	-133.689	22.102	
Distill.W.T. (S)	12-14	80.2	-130.590	22.051	
Total		568.3			

Compartment	Location (Frame)	Capacity (m ³)		Center of Gravity(m)	
		L.C.G.	V.C.G.	L.C.G.	V.C.G.
F.O. DRAIN	31-34	3.3	-115.000	2.342	
F.O. Sludge T.	26-35	36.5	-116.600	17.700	
L.O. Sludge T.	22-26	16.2	-121.800	17.700	
G/E L.O. OVER.TK	15-27	2.9	-128.200	11.400	
L.O. DRAIN	31-34	3.3	-115.000	2.342	
S/T L.O. DRAIN	20-23	3.3	-123.800	2.342	
Bligh Holding T.	14-23	62.1	-126.365	1.577	
Oil Sludge T.	20-23	17.1	-123.768	1.631	
WWTK	24-47	269.6	-109.509	1.707	
Cooling Water T.	A.E.-14	40.9	-131.087	3.878	

Draught (m)	Freeboard from Deck Line (m)	Deadweight (t)				Displ. (t)	Moment to alter trim (t/m)	Immersion (t/cm)	Draught below keel (m)
		CLASS	NET	LOADED	UNLOADED				
20							2500		20
19	6							121	19
18	7				20000		2450		18
17	8							2400	17
16	9	150000							16
15	10							2350	15
14	11							2300	14
13	12							2250	13
12	13	100000						2200	12
11	14							2150	11
10	15							2100	10
9	16							2050	9
8	17							2000	8
7	18							1950	7
6	19							1900	6
5	20							1850	5
4	21							1800	4
3	22							1750	3
2								1700	2

24680.1 t LIGHT SHIP

PRINCIPAL PARTICULARS

LENGTH O. A. 292.00 M
 LENGTH B. P. 282.00 M
 BREADTH (MLD) 45.00 M
 DEPTH (MLD) 24.80 M
 DESIGN DRAFT (MLD) 16.50 M
 SCANT. DRAFT (MLD) 18.30 M
 COMPLEMENT 29 PERSONS

船名	9472282	船主	HORTA
船主	上海外高桥造船有限公司	船主	H1143
船主	上海江南长兴造船有限责任公司	船主	FINISHED PLAN
船主	177,000 DWT BULK CARRIER	船主	3810100188
船主	CAPACITY PLAN	船主	

NOTE: Freeboard measured from top of deck side line.
 L.C.G.: (+) FORE FROM MIDSHIP; (-) AFT FROM MIDSHIP